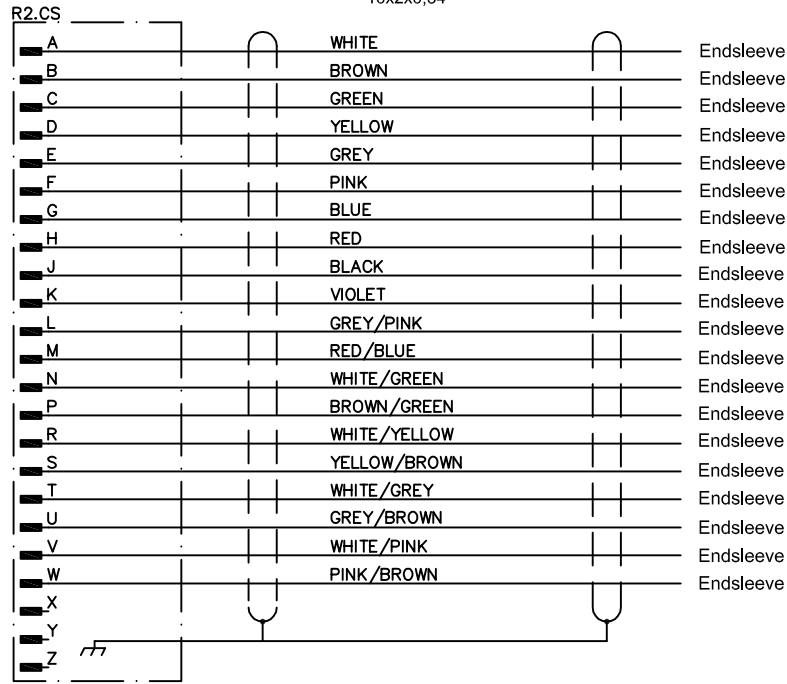


Assembly drawing: P8151 (A0214-211)

I0832 (Elproman 141-0103410-33)
10x2x0,34



P8151 { 23 POL
IRB 2600 { SOURIAU
UT061823PH04

Connected to Circuit diagram
Exxxx-xxx
Connected to Circuit diagram
Exxxx-xxx

We reserve rights in this document and in the information contained therein. Reproduction use or disclosure to third parties without express authority is strictly forbidden. Robot System Products

1	2	3	4	
Connected to Circuit diagram	ZONE	REV.	DESCRIPTION	DATE
Connected to Robot (R2.CP)		-		-
				APPROVED

Designed by JO	Description Signal cable VU to axis six.		Parallell / BUS Communication ---	
Date 2012-12-12	Description IRB 2600 ID		According to dresspack family Mat.Hand. MH	
Approved by MTh	Format A3	Document no. (filename) E0214-211	Rev. A	Page (No. of pages) 01 (01)

