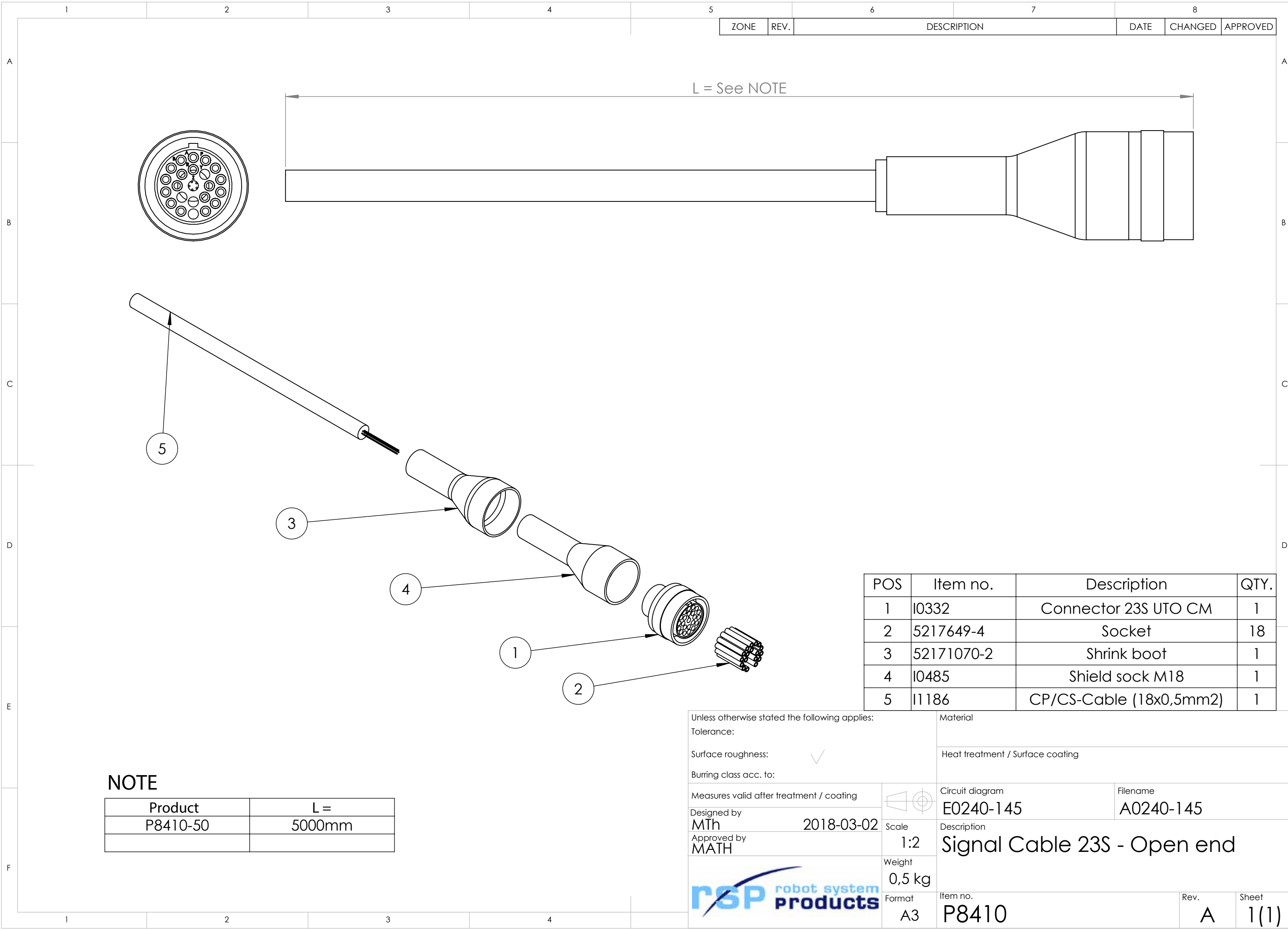


We reserve rights in this document and in the information contained therein. Reproduction use or disclosure to third parties without express authority is strictly forbidden. Robot System Products


ZONE	REV.	DESCRIPTION	DATE	CHANGED	APPROVED
------	------	-------------	------	---------	----------



POS	Item no.	Description	QTY.
1	I0332	Connector 23S UTO CM	1
2	5217649-4	Socket	18
3	52171070-2	Shrink boot	1
4	I0485	Shield sock M18	1
5	I1186	CP/CS-Cable (18x0,5mm ²)	1

NOTE

Product	L =
P8410-50	5000mm

Unless otherwise stated the following applies:		Material	
Tolerance:		Heat treatment / Surface coating	
Surface roughness: ✓			
Burring class acc. to:			
Measures valid after treatment / coating		Circuit diagram	
Designed by MTh		E0240-145	Filename A0240-145
2018-03-02		Description	
Approved by MATH		Signal Cable 23S - Open end	
Scale 1:2		Weight 0,5 kg	
Format A3		Item no. P8410	Rev. A
		Sheet 1(1)	