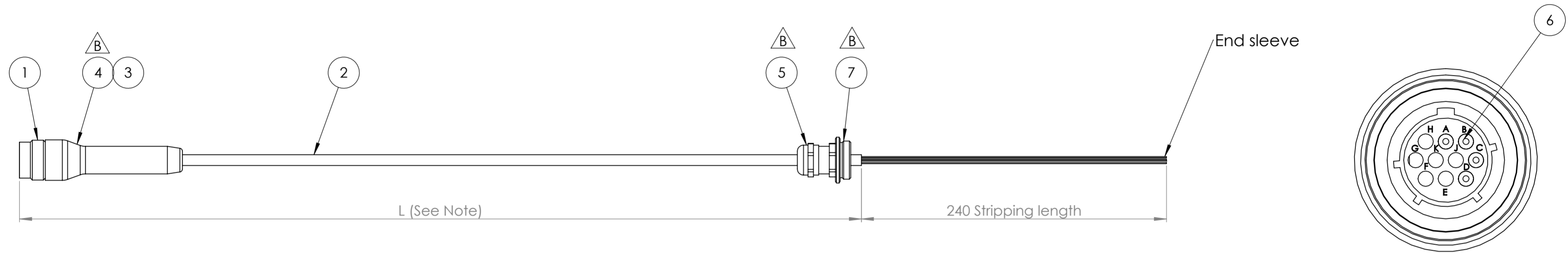


Electrical diagram: E0240-128



POS	ITEM No	DESCRIPTION	QTY.
1	I0695	Connector 10P UTOW	1
2	I0743	Devicenet cable	1
3	I0483	Adapter Shield	1
4	I1698	Straight heat shrink boot	1
5	I0452	Cable gland M16x1,5	1
6	I0576	Pin (Stift) (Souriau-compact) 0,13 -0,25 mm2	4
7	I1690	Thread reducer M25 to M16x1,5	1

SUB	L
7	700mm
10	1000mm



Där ej annat angivits gäller / Unless otherwise stated the following applies:		Material	Ämne / Blank
Tolerans / Tolerance:		Värme behandling / Heat treatment	
Ytjämnhet / Surface roughness:		Ytbehandling / Surface coating	
Gradningsklass enligt / Burring class acc. to:		Ritningsmätt gäller efter ytbehandl. / Meas. valid after coated surfaces	
Konstruerad av / Designed by	MTh 2016-09-22	Benämning	
Ändrad av / Changed by		Devicenet cable 10P-Free end	
Godkänd av / Approved by		Skala / Scale	1:2
Vikt / Weight		0,2 kg	
Format		A2	
Description		Devicenet cable	
Filnamn / Filename		A0240-128A	
Dokument nr. / Document no.		P8198	
Ändr. / Alt.		B	
Blad / Sheet		1(1)	



We reserve rights in this document and in the information contained therein. Reproduction or distribution of this document without express authority is strictly forbidden. Robot System Products