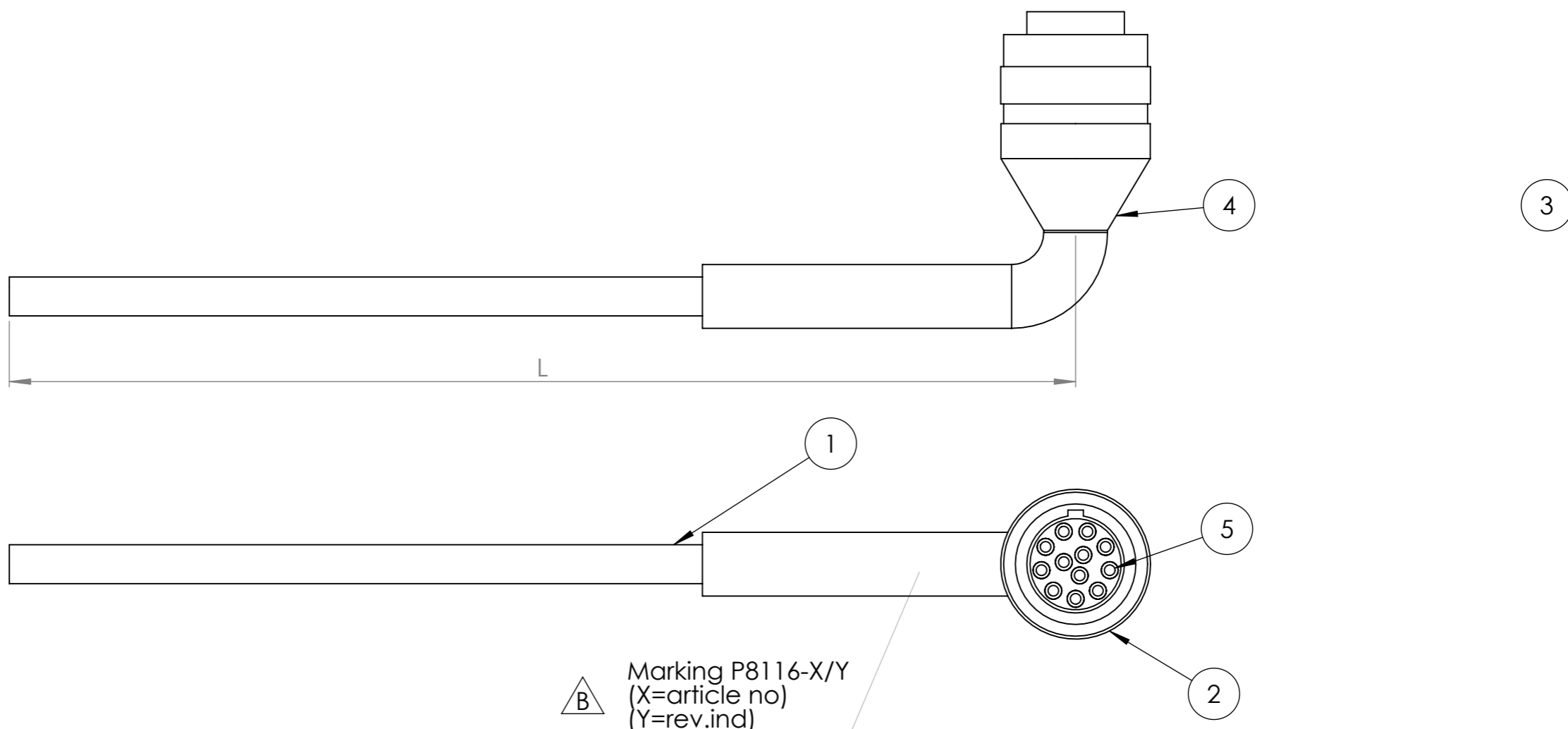


We reserve rights in this document and in the information contained therein. Reproduction use or disclosure to third parties without express authority is strictly forbidden. Robot System Products



Article	L (mm)
P8116-30	3000
P8116-40	4000
P8116-50	5000

Circuit diagram See: E0240-049

ITEM NO.	PART NUMBER	DESCRIPTION	QTY.
1	Lidalco 115 0062 025 (6x2x0.25)	16811903-4	1
2	Souriau UTO61412SH04	3HAA2600-2	1
3	Glenair 319DS037M14 art.nr 52171078-2.ver4	52171078-2	1
4	ABB formgods 52171032-4 ver4	52171032-4	1
5	Souriau RC20M12K	5217649-4	12

Där ej annat angivits gäller / Unless otherwise stated the following applies:		Material	Ämne / Blank
Tolerans / Tolerance:	ISO 2768-m	Värme behandling / Heat treatment	
Ytjämnhet / Surface roughness:	6,3	Ytbehandling / Surface coating	Ritningsmått gäller efter ytbehandling. / Meas. valid after coated surfaces
Gradningsklass enligt / Burring class acc. to:	0,3 x 45°	Benämning	
Konstruerad av / Designed by	MTh 2009-04-15	Signal cable 12S-Free end	
Ändrad av / Changed by		Skala / Scale	Description
Godkänd av / Approved by	JO 2009-04-15	1:1	Signal cable
Vikt / Weight		0 kg	Filnamn / Filename
Format		A3	A0240-049B
Dokument nr. / Document no.		P8116	Ändr. / Alt.
			Blad / Sheet
			B 1(1)

