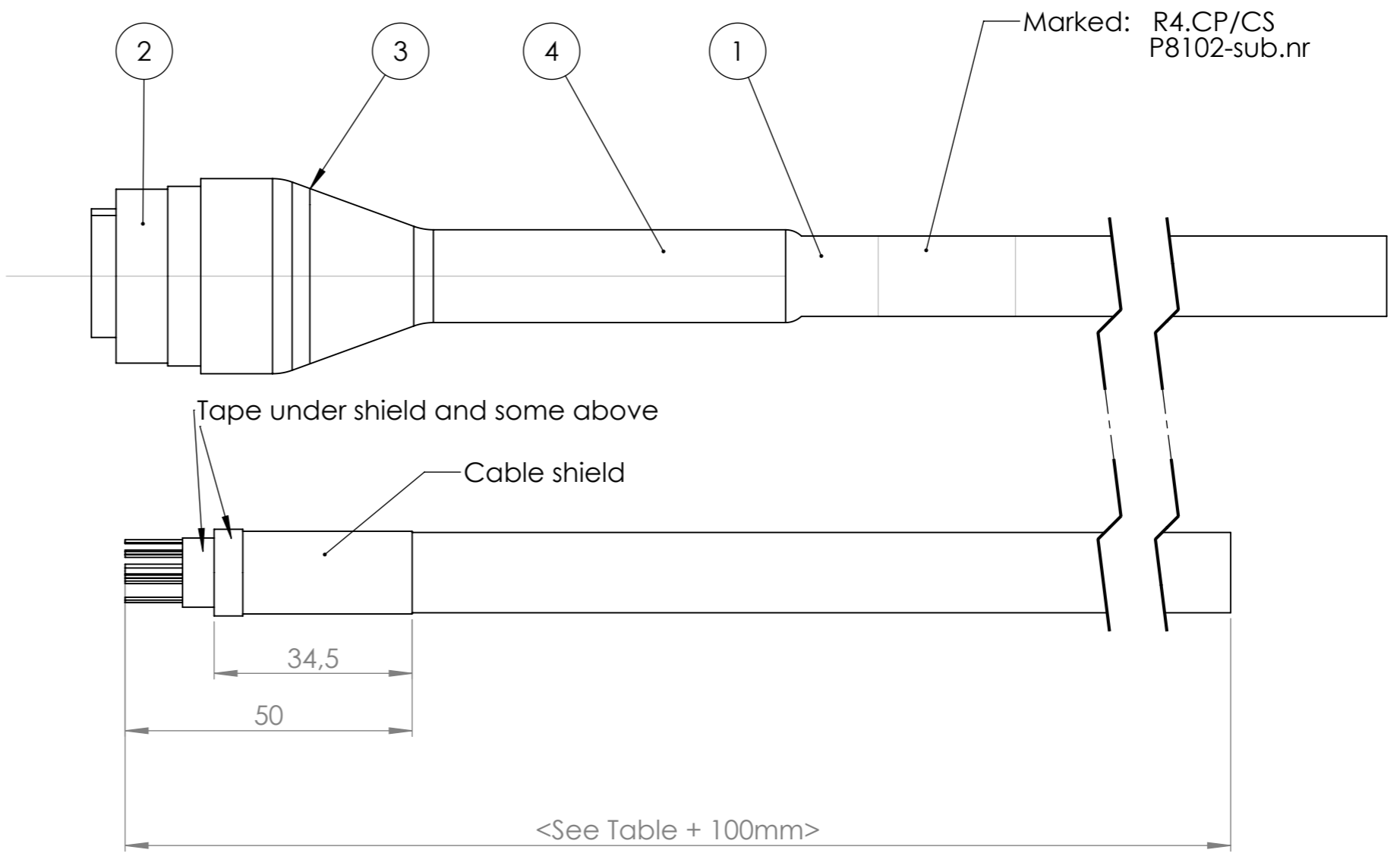
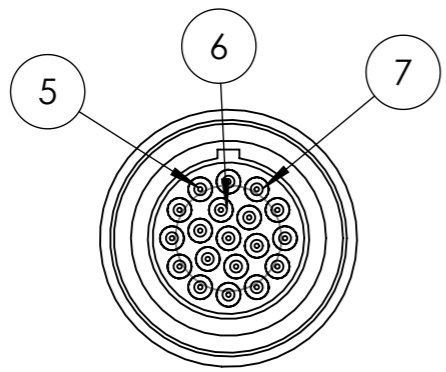


We reserve rights in this document and in the information contained therein. Reproduction use or disclosure to third parties without express authority is strictly forbidden. Robot System Products

Cable Length	Sub
1000 mm	10
2000 mm	20
3000 mm	30



Circuit diagram: P8102E (E0240-010)

ITEM NO.	PART NUMBER	DESCRIPTION	QTY.
1	ABB Signal cable 3HAC4774-1 (I0546)rev02	3HAC 4774-1	se table
2	FCI UT061619PH	5217649-109	1
3	Glenair 319-094M16		1
4	ABB formgods 52171070-2ver4	52171070-2	1
5	FCI RM24M9K	5217649-25	16
6	FCI RM16M23GEK	5217649-31	1
7	FCI RM16M23K	5217649-27	2

Där ej annat angivits gäller / Unless otherwise stated the following applies:		Material	Ämne / Blank
Tolerans / Tolerance:	ISO 2768-m	Värme behandling / Heat treatment	
Ytjämnhet / Surface roughness:	3.2	Ytbehandling / Surface coating	
Gradningsklass enligt / Burring class acc. to:	0,2 x 45 °	Ritningsmått gäller efter ytfbehandling. / Meas. valid after coated surfaces	
Konstruerad av / Designed by:	MJ 2009-03-25	Benämning	
Ändrad av / Changed by:		CP/CS - cable	
Godkänd av / Approved by:		Description	
		19P male - free end	
		Filnamn / Filename	
		A0240-010A	
		Ändr. / Alt.	Blad / Sheet
		B	1(1)

Skala / Scale: 1:2

Vikt / Weight: 0,1 kg

Format: A3