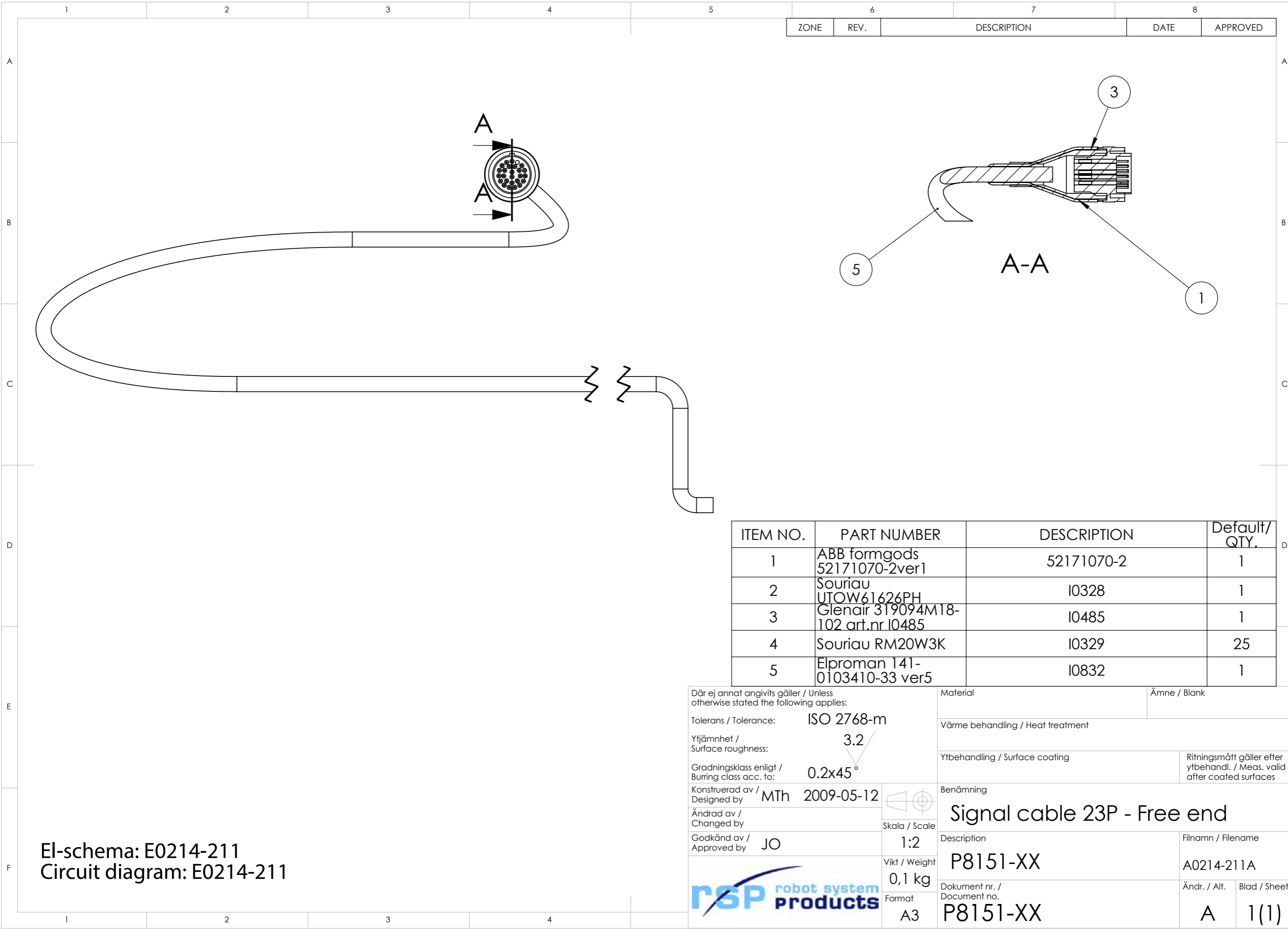


We reserve rights in this document and in the information contained therein. Reproduction use or disclosure to third parties without express authority is strictly forbidden. Robot System Products



ZONE	REV.	DESCRIPTION	DATE	APPROVED

ITEM NO.	PART NUMBER	DESCRIPTION	Default/ QTY.
1	ABB formgods 52171070-2ver1	52171070-2	1
2	Souriau UTOW61626PH	10328	1
3	Glenair 319094MT8-102 art.nr 10485	10485	1
4	Souriau RM20W3K	10329	25
5	Elproman 141-0103410-33 ver5	10832	1

Där ej annat angivits gäller / Unless otherwise stated the following applies:		Material	Ämne / Blank
Tolerans / Tolerance:	ISO 2768-m	Värme behandling / Heat treatment	
Ytjämnhet / Surface roughness:	3.2	Ytbehandling / Surface coating	Ritningsmått gäller efter ytbehandling. / Meas. valid after coated surfaces
Gradningsklass enligt / Burring class acc. to:	0.2x45°	Benämning	
Konstruerad av / Designed by	MTh 2009-05-12	Signal cable 23P - Free end	
Ändrad av / Changed by		Skala / Scale	1:2
Godkänd av / Approved by	JO	Vikt / Weight	0,1 kg
		Format	A3
		Description	
Filnamn / Filename		A0214-211A	
Dokument nr. / Document no.		P8151-XX	
Ändr. / Alt.	Blad / Sheet	A	1(1)

El-schema: E0214-211  
 Circuit diagram: E0214-211