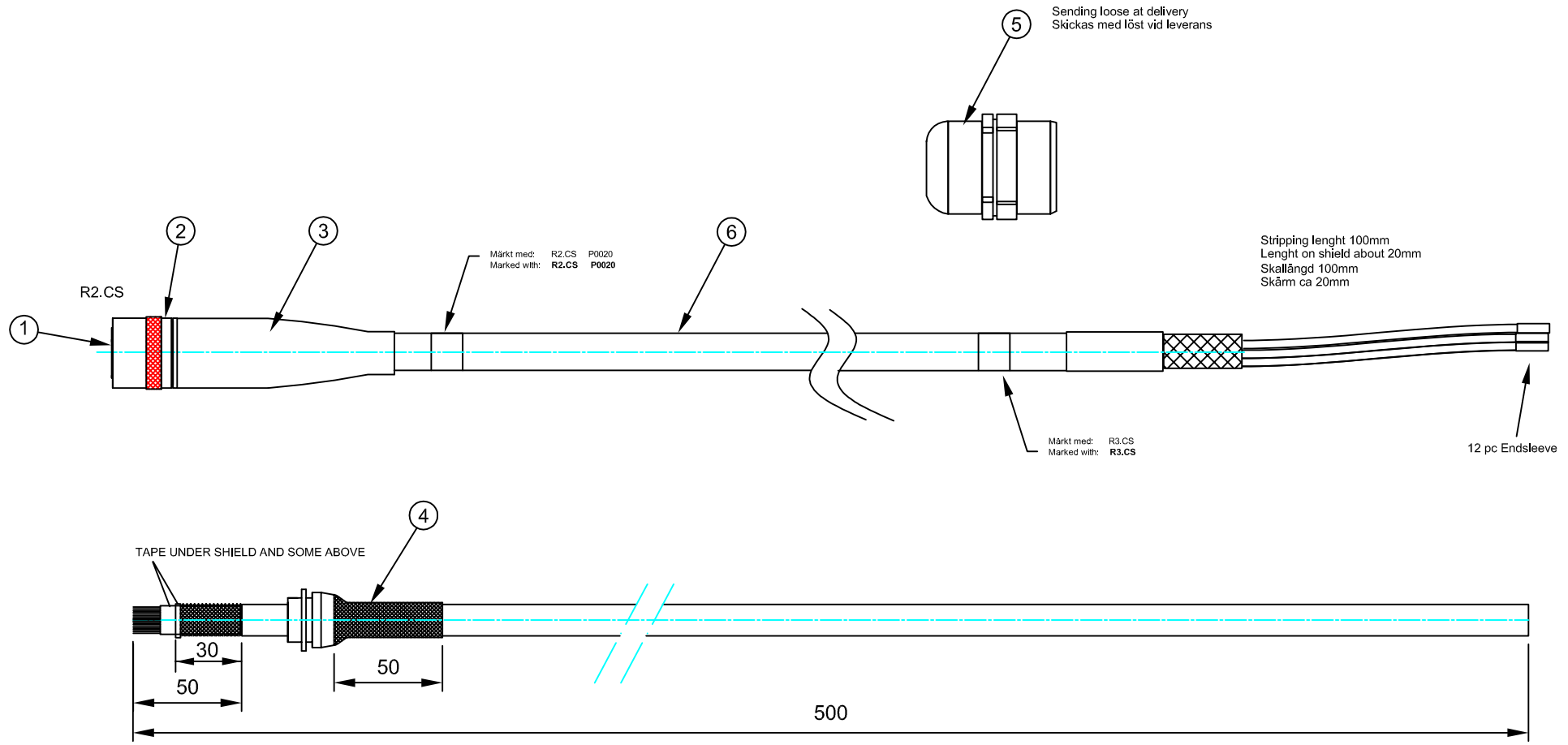



Circuit Diagram: P0020E (E0214-001)



We reserve rights in this document and in the information contained therein. Reproduction use or disclosure to third parties without express authority is strictly forbidden. Robot System Products

Connected to Circuit diagram

Connected to Circuit diagram

Designed by	OHK	Description		
Date	2005-05-17	CS - Cable (Axis 3 - Valve Ramp)		
Approved by	MJ	Description	Parallell / BUS Communication	
		IRB140	Parallell	
		According to dresspack family		
Format	Document no. (filename)	Rev.	Page (No. of pages)	
A3	P0020 (A0214-041)	C	01 (01)	