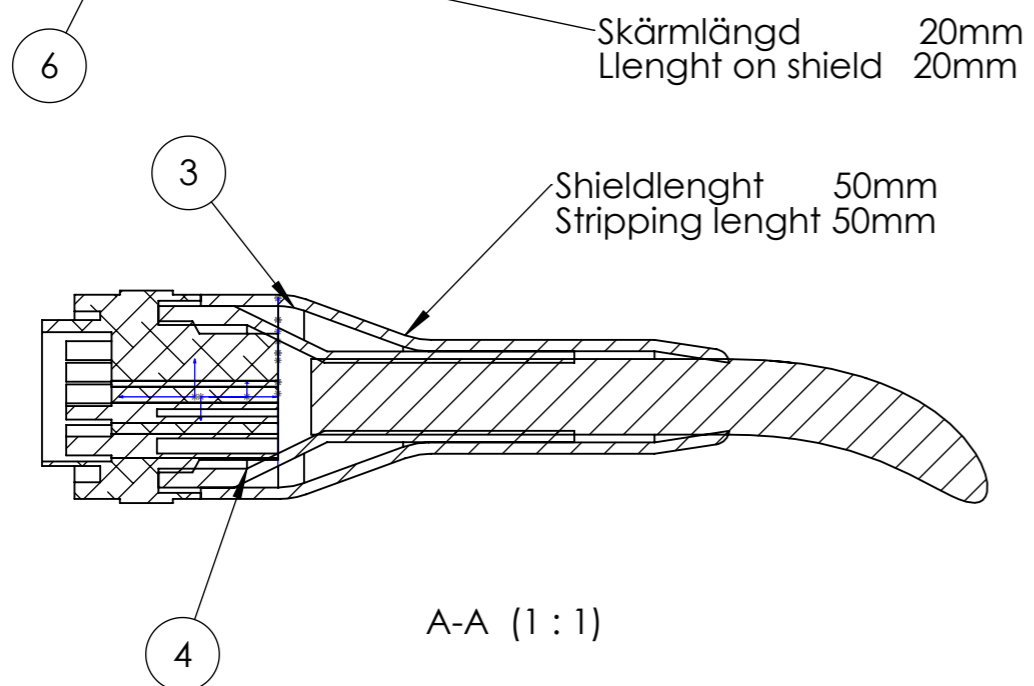
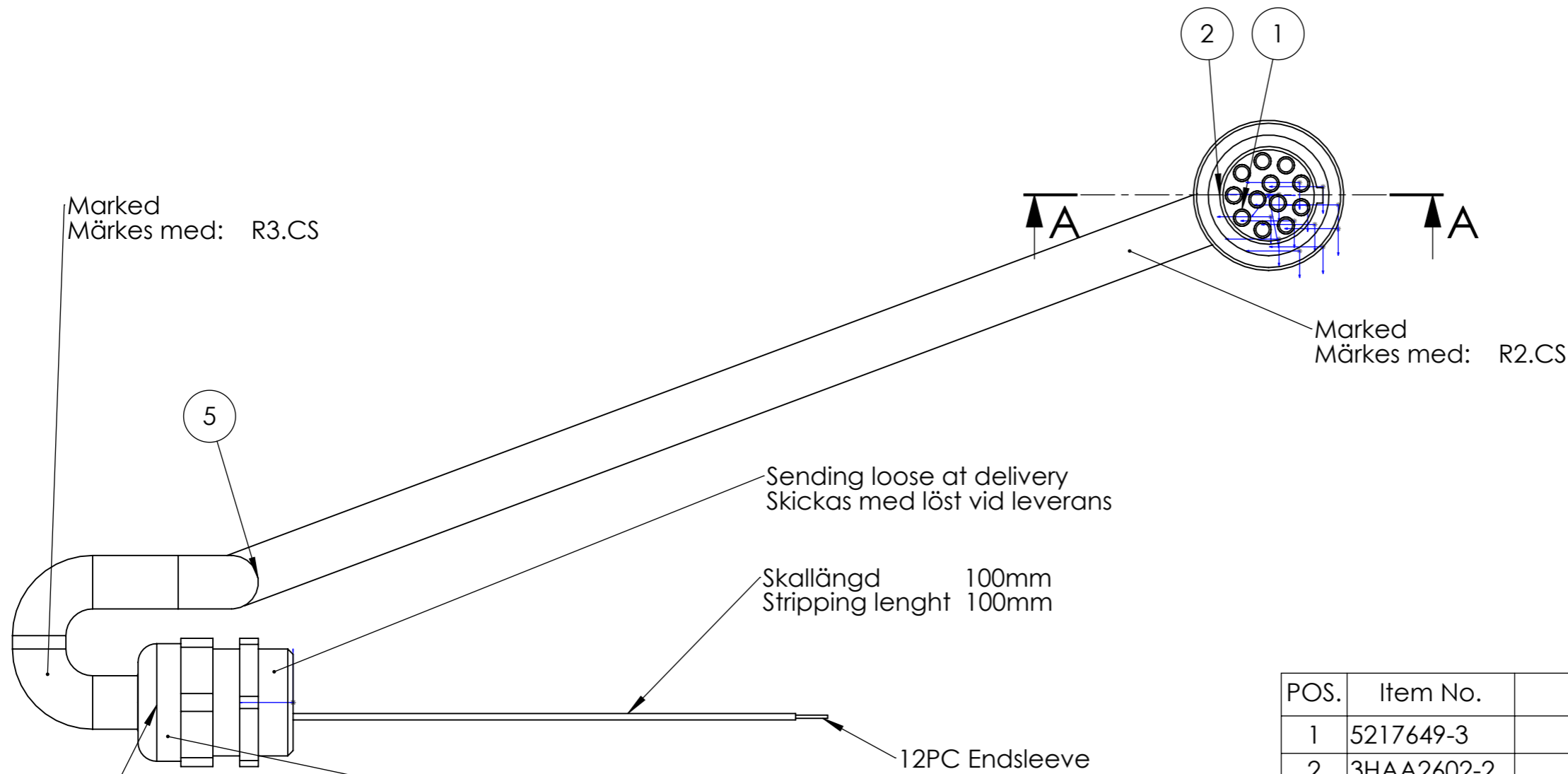


Circuit Diagram: P0021E (E0214-001)



POS.	Item No.	Description	QTY.
1	5217649-3	Pin	12
2	3HAA2602-2	12 pin contact	1
3	52171070-1	Heat shrink boot	1
4	I0484	Adapter shield	1
5	I0161	Insulated cable 18x0,34	1
6	I0604	Cable gland	1

Där ej annat angivits gäller / Unless otherwise stated the following applies:		Material	Ämne / Blank
Tolerans / Tolerance:	ISO 2768-m	Värme behandling / Heat treatment	
Ytjämnhet / Surface roughness:	3.2	Ytbehandling / Surface coating	Ritningsmått gäller efter yfbehandl. / Meas. valid after coated surfaces
Gradningsklass enligt / Burring class acc. to:	0.2x45°	Benämning	El-Cabel R2.CS R3.CS Irb 1400
Konstruerad av / Designed by	OHK 2005-05-17	Skala / Scale	Description
Ändrad av / Changed by	MJ 2008-02-26		
Godkänd av / Approved by	OHK 2008-02-29	Vikt / Weight	Filnamn / Filename
		0,2 kg	A0214-040C
		Format	Ändr. / Alt.
		A3	D
			Blad / Sheet
			1(1)

We reserve rights in this document and in the information contained therein. Reproduction use or disclosure to third parties without express authority is strictly forbidden. Robot System Products