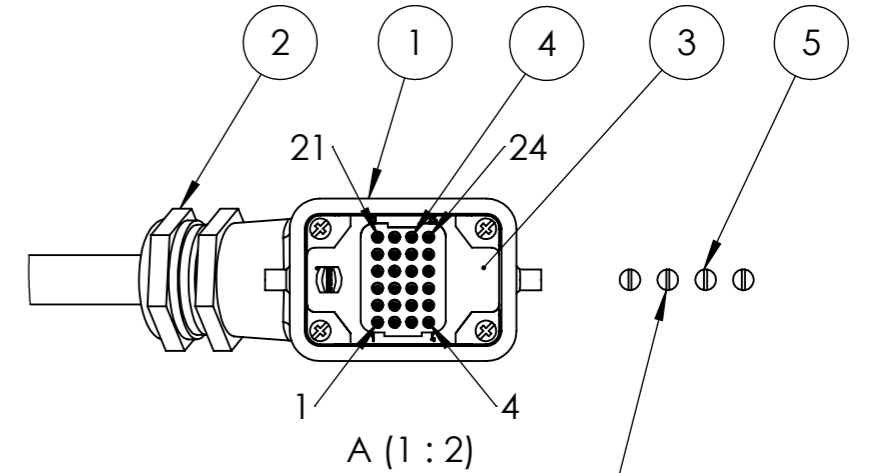
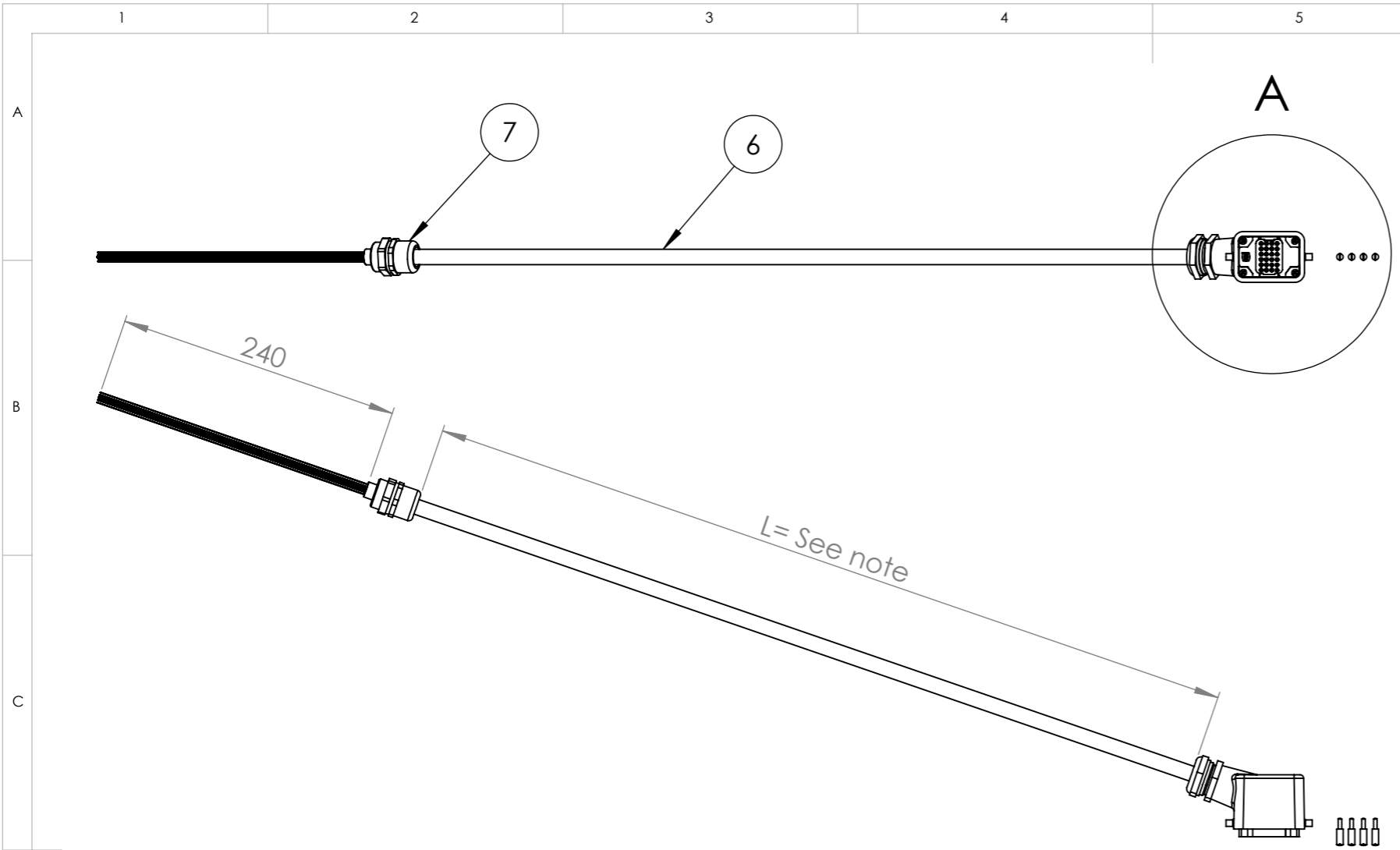


We reserve rights in this document and in the information contained therein. Reproduction use or disclosure to third parties without express authority is strictly forbidden. Robot System Products

ZONE	REV.	DESCRIPTION	DATE	APPROVED
------	------	-------------	------	----------



ITEM NO.	PART NUMBER	DESCRIPTION	QTY.
1	Harting 09 30 006 1541	I0658	1
2	Harting 09 00 000 5088	I0655	1
3	Harting 09 16 024 3001	I0659	1
4	Harting 09 15 000 6104	I0068	24
5	Harting 09 30 000 9901	I0657	4
6	Lidalco314 0122 025 (12x2x0,25)ver2	16811903-5	1
7	Miltronik Skintop MS-SC-M25 53112640	I0603	1

Art.no.	L=
P0666-11	1,1m

Där ej annat angivits gäller / Unless otherwise stated the following applies:

Tolerans / Tolerance: **ISO 2768-m**

Ytjämnhet / Surface roughness: ✓

Gradningsklass enligt / Burring class acc. to:

Konstruerad av / Designed by: **MTh 2016-05-27**

Ändrad av / Changed by:

Godkänd av / Approved by:

Skala / Scale: **1:5**

Vikt / Weight:

Format: **A3**

Material: \_\_\_\_\_ Ämne / Blank: \_\_\_\_\_

Värme behandling / Heat treatment: \_\_\_\_\_

Ytbehandling / Surface coating: \_\_\_\_\_ Ritningsmått gäller efter ytbehandl. / Meas. valid after coated surfaces: \_\_\_\_\_

Benämning: **Harting 24P - Free end**

Description: **P0666 CS-Cable** Filnamn / Filename: **A0179-024A**

Dokument nr. / Document no.: **P0666** Ändr. / Alt.: **A** Blad / Sheet: **1(1)**